

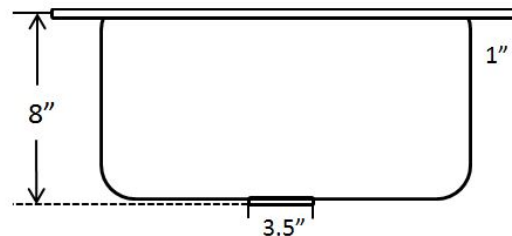
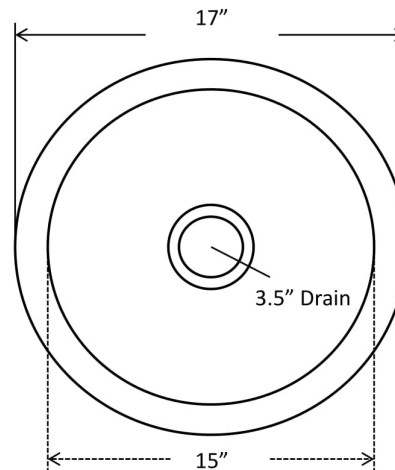
De La Cruz
De La Cruz Hammered Stainless Steel
(Formally Hammered Stainless Steel Napoli)



Item: PU-1708HSS

- Round hand hammered stainless steel 18 gauge
- Easy to clean and maintain
- Sound dampening panels and coating to reduce noise
- Rigorously tested to ensure no puddling or leaking
- Coordinating drain available
- Limited Lifetime Warranty

Dimensions:
Outer 17", 8" depth
Inner 15", 8" depth



For more information scan our QR code.
• iPhone open camera and hover over code click on pop-up and it will redirect you
• Android download QR app Lighting QR and follow instructions



True to the spirit of our ancestry we bring the allure of copper, home.
With all of our heart.