

Taxco Taxco Hammered Nickel

(Formally Starr)



THOMPSON
TRADERS

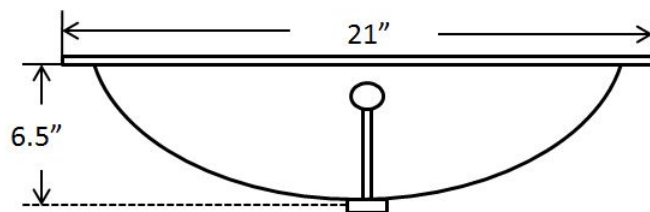
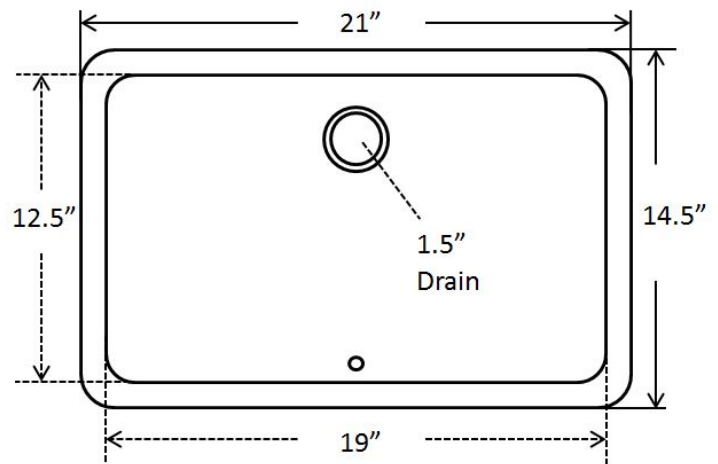
Item: BRU-2115BRN

- Rectangular hand hammered nickel 18 gauge
- Easy to clean and maintain
- Sound dampening panels and coating to reduce noise
- Rigorously tested to ensure no puddling or leaking
- Coordinating drain available
- Limited Lifetime Warranty

Dimensions:

Outer 21" x 14.5", 6.5" depth

Inner 19" x 12.5", 6.5" depth



For more information scan our QR code.

- iPhone open camera and hover over code click on pop-up and it will redirect you
- Android download QR app Lighting QR and follow instructions



True to the spirit of our ancestry we bring the allure of copper, home.
With all of our heart.

www.thompsontraders.com