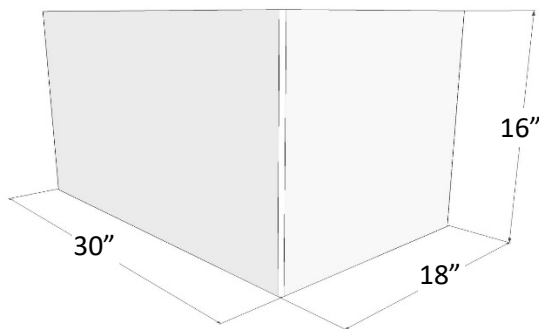
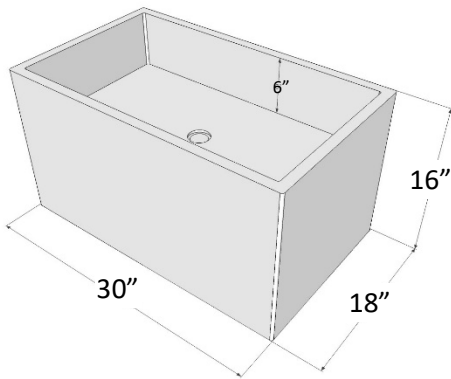




Shown in PB finish



WM001

LORI WALL-MOUNT SMOOTH SINK

DETAILS

Installation Type: Wall-mount

OD: 30"L x 16"W x 18"H

ID: 26.75"L x 14.75"W x 7"H

Uses Standard 1.5" Drain, No Overflow

Sink Weight: 50 lbs

Each sink is hand-crafted; no two sinks will be the same.

AVAILABLE FINISHES

UB	Satin Unlacquered Brass
PB	Polished Unlacquered Brass
SS	Satin Stainless Steel
PS	Polished Stainless Steel

AVAILABLE DRAINS

D004	Grid Strainer
D005	Lift and Turn
D006	Pop-up w/ Lift Rod
D011 – D017	Decorative Grid Strainers

INSTALLATION

Drain should be installed first.

Linkasink recommends consulting a professional if you are unfamiliar with installing bathroom fixtures and plumbing. Linkasink accepts no liability for any damage to the floor, walls, plumbing, or personal injury during installation. A French Cleat is provided by Linkasink. Please see separate installation PDF for detailed instructions.

CARE

This sink has a living finish (excluding SS/PS) which will change with time and use. Use mild soap and water for everyday cleaning. Avoid any harsh abrasives, acidic cleaning products and antibacterial hand soap. A paste wax may be applied periodically to protect the finish and help with water spotting.

WARRANTY

Linkasink warrants our product to be free from manufacturing defect for the life of the product. Warranty does not cover improper care, neglect, or abuse.

DIMENSIONS WILL VARY

DO NOT use this sheet as a guide for countertop cuts. Due to the handmade nature of each product, templates are not provided.