

V042

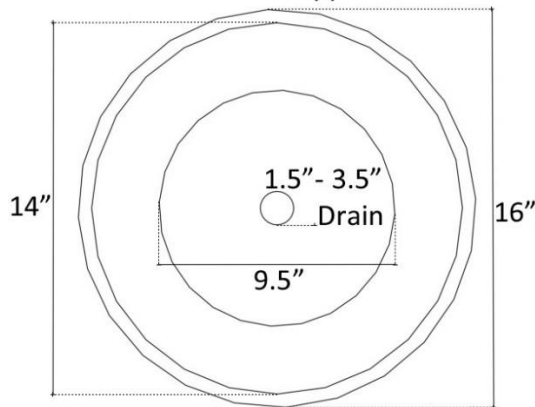
SMALL ROUND STAINLESS STEEL MOSAIC



SHOWN WITH SN RIM WITH D007 SS



All Dimensions Are Approximate



DETAILS

Stainless Steel Mosaic Interior

Installation: Drop In or Undermount

Specify when ordering: 1. Rim finish 2. Drain type & finish

Drain Flange grouted into place, tail piece and additional parts are shipped with sink.

AVAILABLE FINISHES (Rim)

SN	Satin Nickel
UM	Undermount (unfinished rim)

AVAILABLE DRAINS

D001 SN	2" Bar Drain
D003 SS or SN	3.5" Basket Strainer
D004 SN	1.5" Grid Strainer
D005 SN	1.5" Lift & Turn
D006 SN	1.5" Pop-up with Horizontal Lift-rod
D007 SS or SN	3.5" Disposal Flange
D011 – D017	1.5" Decorative Grid Strainers
D051 – D057	3.5" Decorative Basket Strainers
D071 – D077	3.5" Decorative Strainer/Stopper Disposal Flange
D101-D720	Decorative Drains

INSTALLATION

DROP-IN: Cut opening large enough for the sink to be "dropped in" to countertop.

UNDERMOUNT: Cuts in countertop are up to the discretion of the installer. Clips or other installation method must be provided by the fabricator/installer.

Use 100% silicone to adhere sink to countertop. Clean any excess silicone from sink surface.

CARE

Clean with mild soap and water. No harsh or abrasive chemicals or cleaning products. Do not use stainless steel cleaners on this sink as it can erode the grout.

WARRANTY

Linkasink warranties our product to be free from manufacturing defect for the life of the product. Warranty does not cover improper care, neglect or abuse.

DIMENSIONS WILL VARY

DO NOT use this sheet as a guide for countertop cuts. Due to the handmade nature of each product, templates are not provided.