

C071-30 SS

FARMHOUSE KITCHEN SINK WITH INSET APRON FRONT

DETAILS

Handcrafted Smooth Stainless Steel

10mm Radius Corners

Installation Type: Undermount

Uses Standard 3.5" Drain

Due to the handcrafted nature of the product, each sink may have variations in size, finish and texture.

Do not use this sheet as a guide for countertop cuts. The actual sink should be used for making cuts in the countertop/= and cabinet.

Decorative Inset Apron Piece

- An apron front decorative panel must be selected when ordering. Panel options are available below.

AVAILABLE FINISHES

SS | Satin Stainless Steel

AVAILABLE DRAINS

D003	3.5" Basket Strainer
D007	Disposal Flange
D051-D077	Decorative Basket Strainer
D071-D077	Decorative Basket Strainer Disposal Flange

AVAILABLE PANELS

PNL101 – PNL303	See following page for options
PNL-C	Contact Linkasink for custom options

INSTALLATION

UNDERMOUNT: Cuts in countertop are up to the discretion of the installer. Clips or other installation method must be provided by the fabricator/installer.

Use 100% silicone to adhere sink to countertop. Clean any excess silicone from sink surface.

CARE

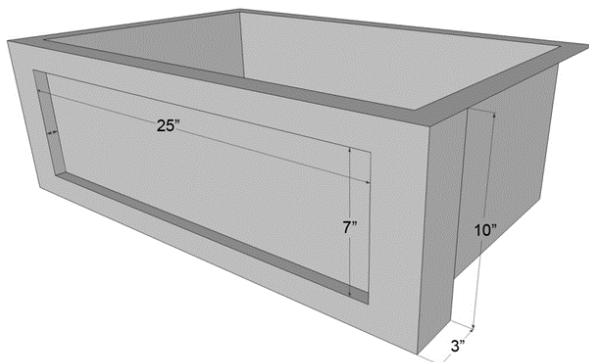
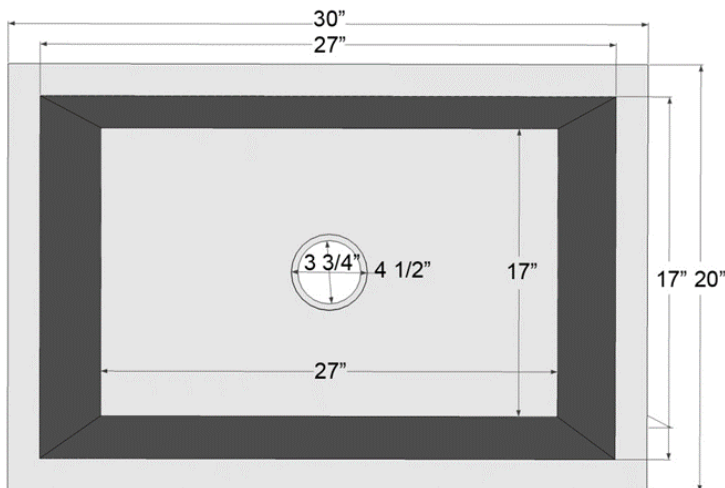
Use mild soap and water for everyday cleaning. Avoid any harsh abrasives and chemicals, acidic cleaning products, and antibacterial hand soap. A paste wax may be applied periodically to protect the finish and help with water spotting.

WARRANTY

Linkasink warranties our product to be free from manufacturing defect for the life of the product. Warranty does not cover improper care, neglect or abuse.



SHOWN WITH PNL102 SS



DECORATIVE PANEL OPTIONS FOR C071-30 SS

Price Category 1

Available in Polished and Satin Stainless (PS, SS)
 Polished and Satin Unlacquered Brass (PB, UB)
 Panel Size – 25" x 7"

Price Category 2

Available as shown
 Panel Size – 25" x 7"

Price Category 3

Available as shown
 Panel Size – 25" x 7"

PNL101 - Lyre



PNL102 - Spoke



PNL103 - Circles



PNL104 - Versailles



PNL105 - Filigree



PNL106 - Tribal



PNL201 – Metallic Agate Glass



PNL301 – Handmade Tiles



PNL302 – Marble Ovals



PNL303 Marble with Studs



DIMENSIONS WILL VARY

DO NOT use this sheet as a guide for countertop cuts. Due to the handmade nature of each product, templates are not provided.

Contact: 1.866.395.8377 sales@linkasink.com
 Linkasink may make changes to specifications without notice.
 Visit linkasink.com for updated specification sheet.