



Shown in PB



C016

SMALL FLAT ROUND

DETAILS

Installation Type: Drop-In or Undermount

Material: Hand-Hammered Metal

OD: 16" x 7"

ID: 14"

Drain Size: Uses Standard 2" Bar Drain; No Overflow

Each sink is handmade; no two sinks will be the same. All hammered sinks are expected to have variation in the finish and texture due to the hand-crafted process and the nature of living finishes.

AVAILABLE FINISHES

DB	Dark Bronze
WC	Weathered Copper
SN	Satin Nickel
PN	Polished Nickel
SS	Satin Stainless Steel
PS	Polished Stainless Steel
UB	Satin Unlacquered Brass
PB	Polished Unlacquered Brass

BASE MATERIAL

Copper
Copper
Copper
Copper
Stainless Steel
Stainless Steel
Brass
Brass

AVAILABLE DRAINS

D001	2" Bar Drain
------	--------------

INSTALLATION

Drain should be installed first to ensure fit.

DROP-IN: Cut opening large enough for the sink to be "dropped in" to countertop.

UNDERMOUNT: Cuts in countertop are up to the discretion of the installer. Clips or other installation method must be provided by the fabricator/installer.

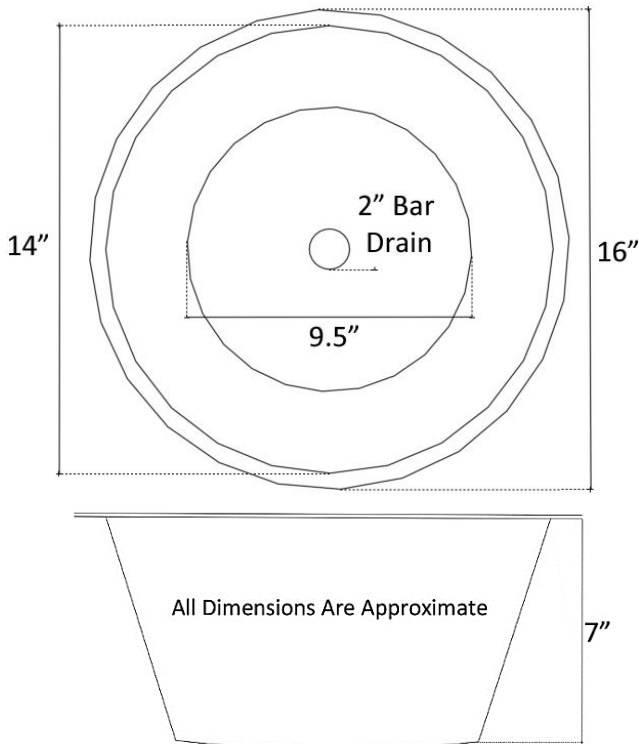
Use 100% silicone to adhere sink to countertop. Clean any excess silicone from sink surface to avoid damaging the finish.

CARE

This sink has a living finish (excluding SS/PS) which will change with time and use. Use mild soap and water for everyday cleaning. Avoid any harsh abrasives, acidic cleaning products and antibacterial hand soap. A paste wax may be applied periodically to protect the finish and help with water spotting.

WARRANTY

Linkasink warranties our product to be free from manufacturing defect for the life of the product. Warranty does not cover improper care, neglect, abuse, normal wear-and-tear, or changes to the living finish.



DIMENSIONS WILL VARY

DO NOT use this sheet as a guide for countertop cuts. Due to the handmade nature of each product, templates are not provided.