

# BR008

ROUND FLAT BOTTOM FLUTED

## DETAILS

Materials: Cast Metal

Installation Type: Drop-In or Undermount

Uses Standard 1.5" Drain, No Overflow

Each sink is hand-crafted; no two sinks will be the same

NOTE: Due to the handmade nature of the sink, dimensions are approximate and variations in the metal may be visible.

## AVAILABLE FINISHES

	<b>AB</b>	Antique Bronze
	<b>UB</b>	Satin Unlacquered Brass
	<b>WB</b>	Satin White Bronze
	<b>P</b>	Polished White Bronze

## AVAILABLE DRAINS

	<b>D004</b>	Grid Strainer
	<b>D005</b>	Lift and Turn
	<b>D006</b>	Pop-up w/ lift rod
	<b>D011 - D017</b>	Decorative Grid Strainers
	<b>D101 - D720</b>	Decorative Drains

## INSTALLATION

Drain should be installed first.

**DROP-IN:** Cut opening large enough for the sink to be "dropped in" to countertop. **UNDERMOUNT:** Cuts in countertop are up to the discretion of the installer. Clips or other installation method must be provided by the fabricator/installer. Use silicone adhesive to adhere sink to countertop. Clean any excess silicone from sink surface to avoid damaging the finish.

## CARE

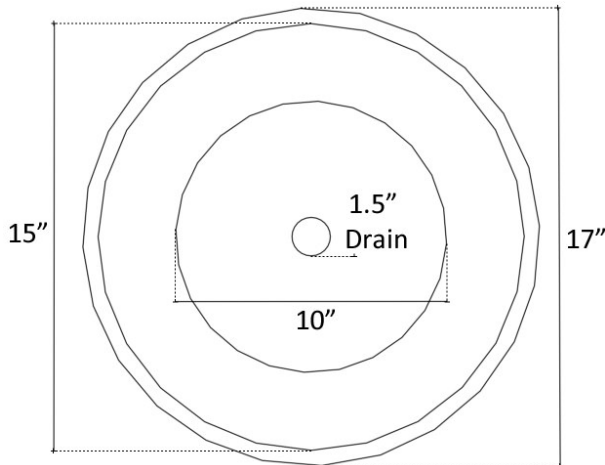
This sink has a living finish, which will change with time and use. Use mild soap and water for everyday cleaning. Avoid any harsh abrasives, acidic cleaning products and antibacterial hand soap. A paste wax may be applied periodically to protect the finish and help with water spotting.

## WARRANTY

Linkasink warranties our product to be free from manufacturing defect for the life of the product. Warranty does not cover improper care, neglect, abuse, normal wear-and-tear, or changes to the living finish.



SHOWN IN AB



### DIMENSIONS WILL VARY

DO NOT use this sheet as a guide for countertop cuts. Due to the handmade nature of each product, templates are not provided.