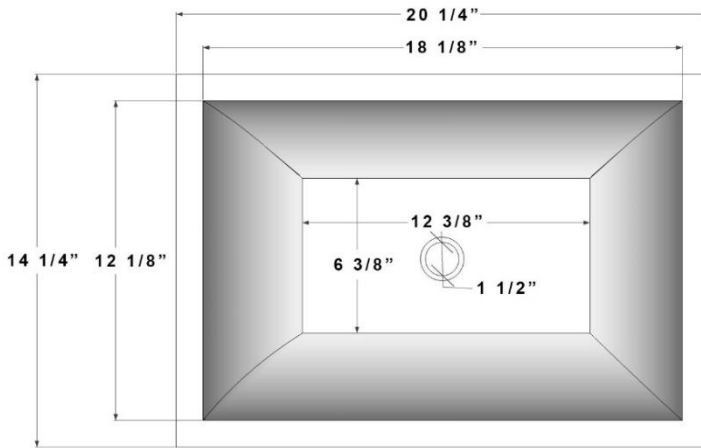
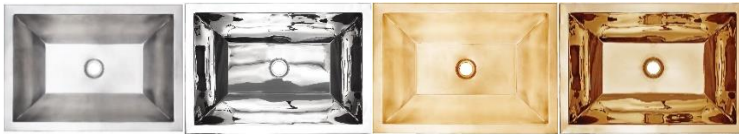


BLD106 SS Shown



BLD106

Coco Smooth Builders Series – 1.5" Drain Opening

DETAILS

Installation Type: Drop-In or Undermount

Hand-crafted smooth stainless steel

OD: 20 1/4" x 14 1/4" x 4.5"

ID: 18 1/8" x 12 1/8"

Uses Standard 1.5" Lavatory Drain, No Overflow

Each sink is hand-crafted; no two sinks will be the same

NOTE: Due to the handmade nature of the sink, dimensions are approximate and can vary.

AVAILABLE FINISHES

SS	Satin Stainless Steel
PS	Polished Stainless Steel
UB	Unlacquered Brass - Satin
PB	Unlacquered Brass - Polished

AVAILABLE DRAINS

D004	1.5" Grid Strainer
D005	1.5" Lift & Turn
D006	1.5" Pop-Up with Horizontal Lift-Rod
D011 – D017	1.5" Decorative Grid Strainers
D101 – D720	1.5" Decorative Drains

INSTALLATION

DROP-IN: Cut opening large enough for the sink to be "dropped in" to countertop.

UNDERMOUNT: Use the actual sink for templating. Cuts in countertop are up to the discretion of the installer. Clips or other installation method must be provided by the fabricator/installer. Use 100% silicone adhesive to adhere sink to countertop. Clean any excess silicone from sink surface to avoid damaging the finish.

CARE

This sink has a living finish (excluding SS/PS) which will change with time and use. Use mild soap and water for everyday cleaning. Avoid any harsh abrasives, acidic cleaning products and antibacterial hand soap. A paste wax may be applied periodically to protect the finish and help with water spotting.

WARRANTY

Linkasink warranties our product to be free from manufacturing defect for the life of the product. Warranty does not cover improper care, neglect, abuse, or normal wear-and-tear.

DIMENSIONS WILL VARY

DO NOT use this sheet as a guide for countertop cuts. Due to the handmade nature of each product, templates are not provided.