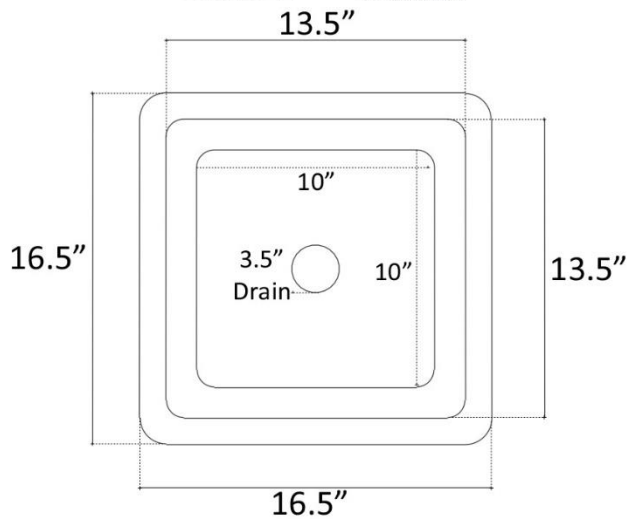
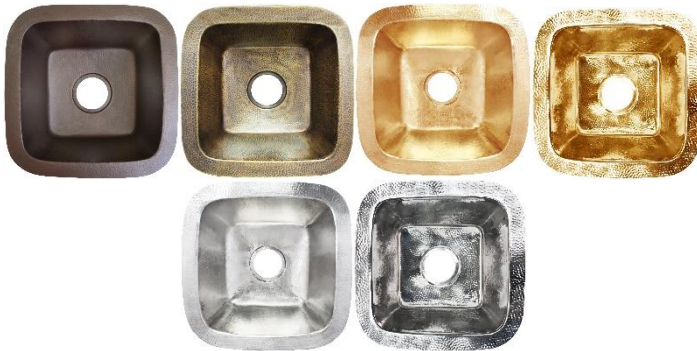




Shown in SS Finish



All Dimensions Are Approximate

BLD105

SQUARE BUILDER'S SERIES

DETAILS

Installation Type: Drop-in or Undermount

Hand-hammered Metal

No Overflow

3.5" Drain Opening

AVAILABLE FINISHES

AVAILABLE FINISHES		BASE MATERIAL
DB	Dark Bronze	Copper
AB	Antique Bronze	Brass
UB	Satin Unlacquered Brass	Brass
PB	Polished Unlacquered Brass	Brass
SS	Satin Stainless Steel	Stainless Steel
PS	Polished Stainless Steel	Stainless Steel

AVAILABLE DRAINS

D003	Basket Strainer
D007	Disposal Flange
D051-D057	Decorative Basket Strainer
D071-D077	Decorative Disposal Flange w/ Strainer/Stopper

INSTALLATION

Cuts in countertop are up to the discretion of the installer. Clips or other installation method must be provided by the fabricator / installer. Use the actual sink as a cutting guide. Use 100% silicone to adhere sink to countertop. Clean any excess silicone from sink surface.

CARE

This sink (excluding stainless steel sinks) has a living finish which will change with time and use. Use mild soap and water for everyday cleaning. Avoid any harsh or acidic cleaning products, as well as antibacterial hand soap to prevent damage to the living finish. 2-3 coats of paste wax may be applied to protect the finish. The wax will wear off over time - periodically reapply to help maintain the finish and avoid water spotting.

WARRANTY

Linkasink warranties our product to be free from manufacturing defect for the life of the product. Warranty does not cover improper care, neglect or abuse.

DIMENSIONS WILL VARY

DO NOT use this sheet as a guide for countertop cuts. Due to the handmade nature of each product, templates are not provided.