



BLD104-3.5

Small Round Bottom Builder's Series – 3.5" Drain Opening

DETAILS

Installation Type: Drop-In or Undermount

Hammered Copper, Hammered Stainless Steel or Hammered Unlacquered Brass

Uses 3.5" Drain

No Overflow

AVAILABLE FINISHES

AB	Antique Bronze
DB	Dark Bronze
SS	Satin Stainless Steel
PS	Polished Stainless Steel
UB	Unlacquered Brass - Satin
PB	Unlacquered Brass - Polished

AVAILABLE DRAINS

D003	3.5" Basket Strainer
D007	3.5" Disposal Flange
D051-D057	3.5" Decorative Basket Strainer
D071-D077	3.5" Decorative Disposal Flange w/ Strainer/Stopper

INSTALLATION

Drain should be installed first.

DROP-IN: Cut opening large enough for the sink to be "dropped in" to countertop.

UNDERMOUNT: Cuts in countertop are up to the discretion of the installer. Clips or other installation method must be provided by the fabricator/installer.

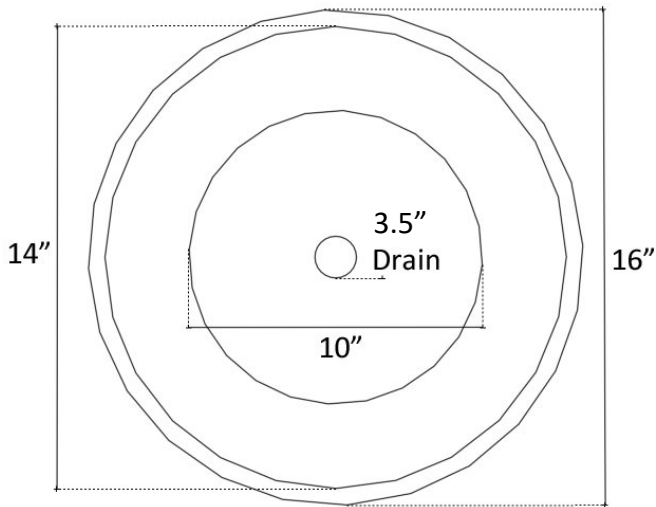
Use 100% silicone to adhere sink to countertop. Clean any excess silicone from sink surface.

CARE

Clean with mild soap. No abrasive chemicals

WARRANTY

Linkasink warranties our product to be free from manufacturing defect for the life of the product. Warranty does not cover abuse.



DIMENSIONS WILL VARY

DO NOT use this sheet as a guide for countertop cuts. Due to the handmade nature of each product, templates are not provided.