



AG03B-01GLD Shown



AG03B

Artisan Glass Medium Rectangle Window

DETAILS

Installation Type: Undermount

Material: Glass
 OD: 20" x 14" x 4"
 ID: 18" x 12"

Drain Size: Standard 1.5" lavatory drain, No Overflow

Dimensions are approximate.

Each Sink is hand-crafted; no two sinks will be the same. All handmade glass sinks are expected to have inherent and unique markings such as air bubbles, leaf marks, surface pinholes and maker's marks

See our "Artisan Glass Fact Sheet" for additional details.

SINK FINISHES

01 White
 04 Black

WINDOW FINISHES

BRS Brass
 GLD Gold
 SLV Silver

AVAILABLE DRAINS

D004 Grid Strainer
 D005 Lift and Turn
 D006 Pop-Up with Horizontal Lift Rod
 D011 – Decorative Grid Strainer
 D017

Do NOT use compression (i.e. click-clack, press-to-close/open) type drains. Hand tighten drain.

INSTALLATION

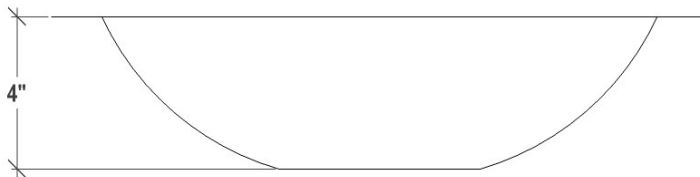
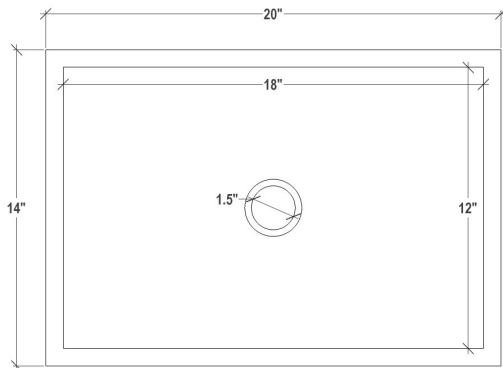
Use silicone adhesive to adhere sink to countertop. Clean any excess silicone from sink surface. Do not install sink using clips. **Hand-tighten drain** – do not overtighten. Conversion Kit for drain installation is included with each sink.

CARE

Mild soap and water for everyday cleaning. Non-ammonia based glass cleaner may also be used. No harsh or acidic cleaning products.

WARRANTY

Linkasink warranties our product to be free from manufacturing defect for the life of the product. Warranty does not cover improper care, neglect or abuse or normal wear-and-tear



DIMENSIONS WILL VARY

DO NOT use this sheet as a guide for countertop cuts. Due to the handmade nature of each product, templates are not provided.