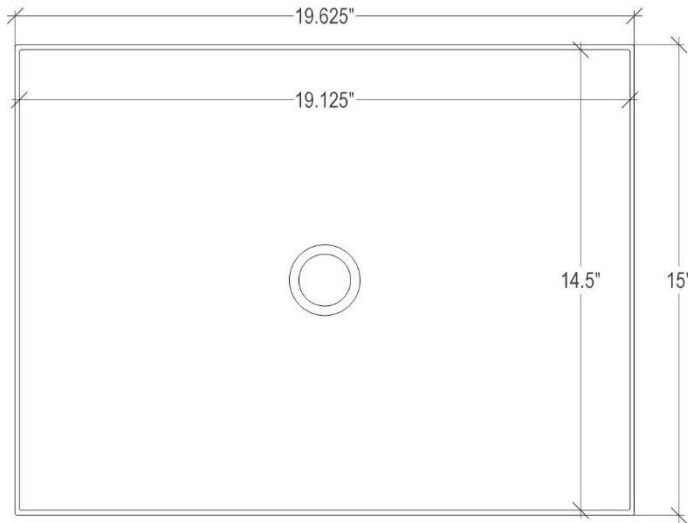
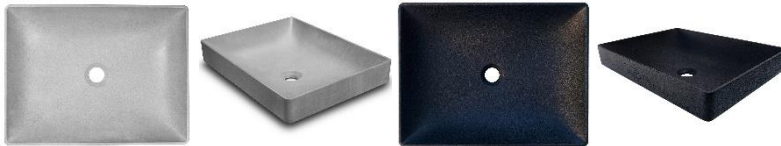




Shown in Gray



## AC02

Lily

### DETAILS

Installation Type: Semi-Recessed Vessel

Material: Glass Fiber Reinforced Concrete (GFRC)

OD: 19.625" x 15" x 4" (approximately 2.75" above counter)

ID: 19.125" x 14.5"



Drain size: Standard 1.5" lavatory drain, No overflow

Dimensions are approximate. Variation in size to be expected.

Each sink is hand-crafted; no two sinks will be the same. All concrete sinks will have unique markings, such as air bubbles, texture and variations that are inherent characteristics of the handmade process.

[See our "Artisan Concrete Fact Sheet" for additional details.](#)

### AVAILABLE FINISHES

	<b>G</b>	Gray
	<b>BLK</b>	Black

### AVAILABLE DRAINS

<b>D004</b>	Grid Strainer
<b>D005</b>	Lift and Turn
<b>D006</b>	Pop-Up with Horizontal Lift Rod
<b>D011 – D017</b>	Decorative Grid Strainers

### INSTALLATION

Drain should be installed first to insure fit. A conversion kit for drain installation is provided with each sink with 1.5" drain opening. Do not overtighten drain. Cut opening in countertop large enough for extruded part of sink to sit into countertop. Use 100% silicone adhesive to adhere sink to countertop. Clean any excess silicone from sink surface.

### CARE

Concrete sinks are crafted from glass fiber reinforced concrete (GFRC). Linkasink hand-etches then seals each sink with a 7-Step impregnating sealer. Use Windex® with Vinegar for cleaning as needed. The sink should not be exposed to harsh or acidic chemicals, cleaners or scrubbers.

### WARRANTY

Linkasink warranties our product to be free from manufacturing defect for the life of the product. Warranty does not cover improper care, neglect, abuse or normal wear-and-tear.

### DIMENSIONS WILL VARY

**DO NOT** use this sheet as a guide for countertop cuts. Due to the handmade nature of each product, templates are not provided.